

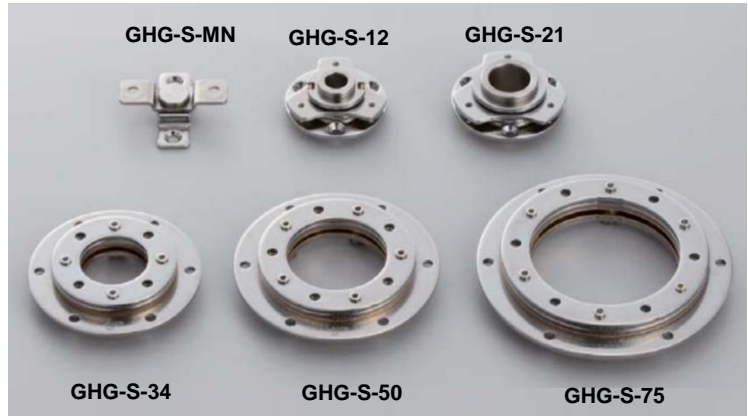
## GHG-S Swivel Torque Hinge

### Features

- Rotation angle: 360°
- Centre hole for easy cable management (except **GHG-S-MN**)
- Five types of hole diameter sizes ( $\varnothing 12$ ,  $\varnothing 21.5$ ,  $\varnothing 34$ ,  $\varnothing 50$ , and  $\varnothing 75$ ) available
- Passed 20,000 life cycle test

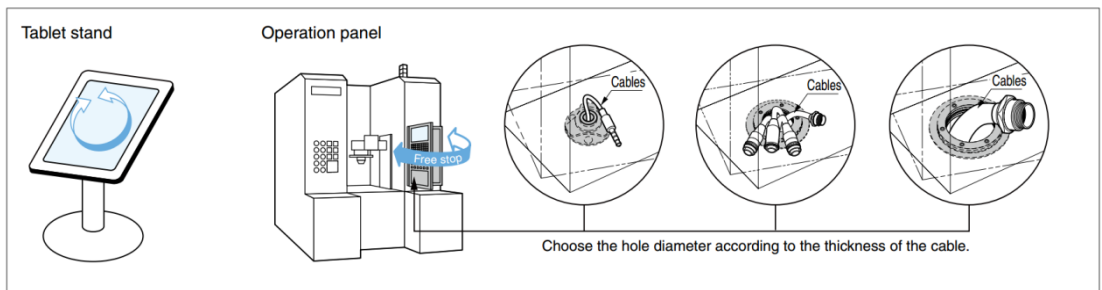
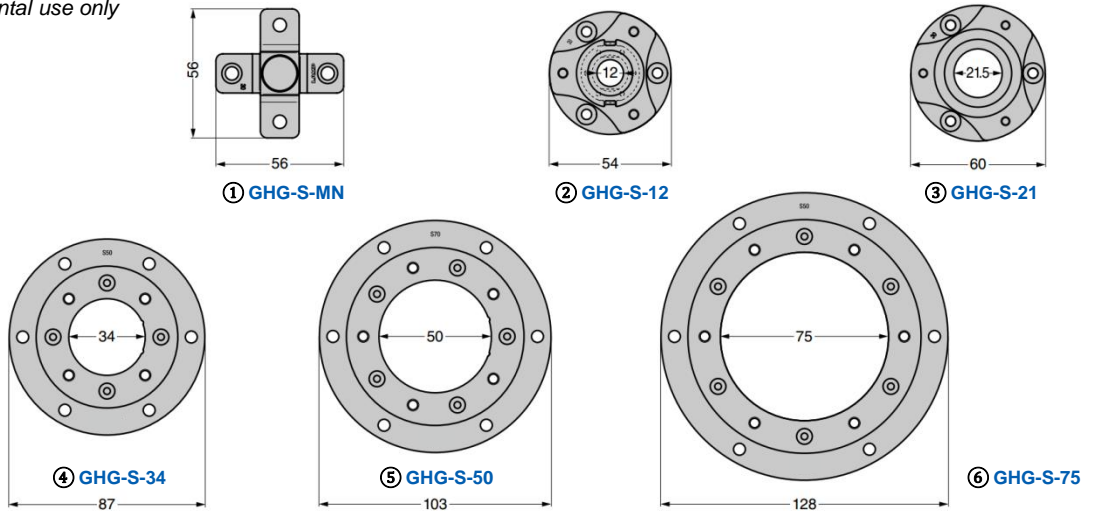
### Notes

- Hinges can be installed upside down. For such application, fix screws from the mounting surface

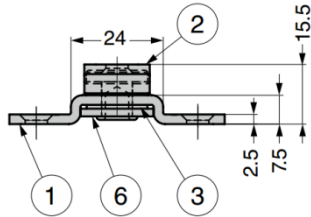
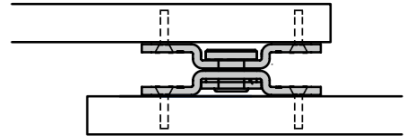
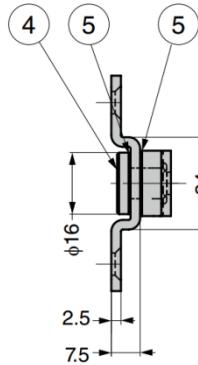
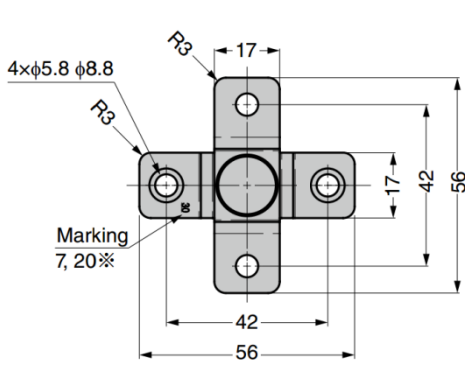


Part No.	No.	Size	Hole Diameter	Torque (per piece)		Page
<b>GHG-S7-MN</b>	①	56	-	0.7 $\pm 20\%$ N.m	7.1 $\pm 20\%$ kgf.cm	2
<b>GHG-S20-MN</b>				2.0 $\pm 20\%$ N.m	20.4 $\pm 20\%$ kgf.cm	
<b>GHG-S30-12</b>	②	$\varnothing 54$	$\varnothing 12$	3.0 $\pm 20\%$ N.m	30.6 $\pm 20\%$ kgf.cm	3
<b>GHG-S50-12</b>				5.0 $\pm 20\%$ N.m	51.0 $\pm 20\%$ kgf.cm	
<b>GHG-S30-21</b>	③	$\varnothing 60$	$\varnothing 21.5$	3.0 $\pm 20\%$ N.m	30.6 $\pm 20\%$ kgf.cm	3
<b>GHG-S50-21</b>				5.0 $\pm 20\%$ N.m	51.0 $\pm 20\%$ kgf.cm	
<b>GHG-S50-34</b>	④*	$\varnothing 87$	$\varnothing 34$	5.0 $\pm 20\%$ N.m	51.0 $\pm 20\%$ kgf.cm	4
<b>GHG-S70-34</b>				7.0 $\pm 20\%$ N.m	71.4 $\pm 20\%$ kgf.cm	
<b>GHG-S70-50</b>	⑤*	$\varnothing 103$	$\varnothing 50$	7.0 $\pm 20\%$ N.m	71.4 $\pm 20\%$ kgf.cm	4
<b>GHG-S100-50</b>				10.0 $\pm 20\%$ N.m	102.0 $\pm 20\%$ kgf.cm	
<b>GHG-S50-75</b>	⑥*	$\varnothing 128$	$\varnothing 75$	5.0 $\pm 20\%$ N.m	51.0 $\pm 20\%$ kgf.cm	4
<b>GHG-S70-75</b>				7.0 $\pm 20\%$ N.m	71.4 $\pm 20\%$ kgf.cm	

\* For horizontal use only



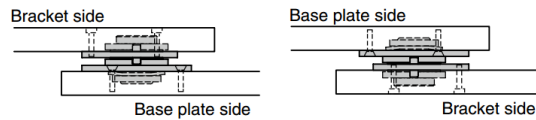
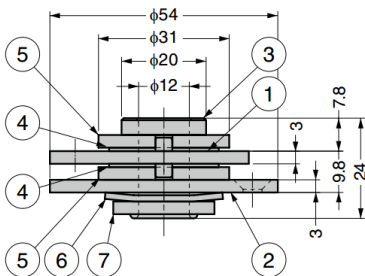
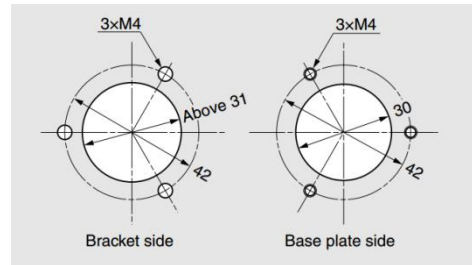
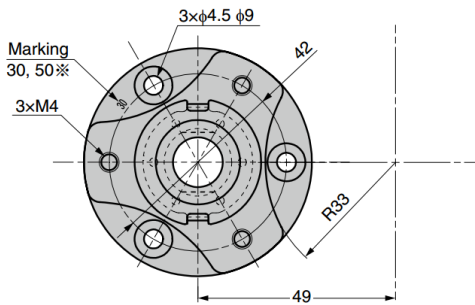
## GHG-S-MN Swivel Torque Hinge (Small Type)



No.	Part Name	Material	Finish
①	Bracket B	Stainless Steel (SUS430)	Barrel Polished
②	Bracket A		
③	F Plate	Bronze	-
④	Shaft	Stainless Steel (SUS303)	
⑤	Spring Washer	Stainless Steel	
⑥	Washer	Stainless Steel (SUS430)	Barrel Polished

Part No.	Size	Torque (per piece)	
GHG-S7-MN	56	0.7 N.m $\pm 20\%$	7.1 kgf.cm $\pm 20\%$
GHG-S20-MN		2.0 N.m $\pm 20\%$	20.4 kgf.cm $\pm 20\%$

## GHG-S-12 Swivel Torque Hinge (Hole Diameter $\phi 12$ )

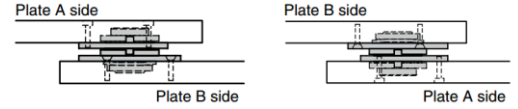
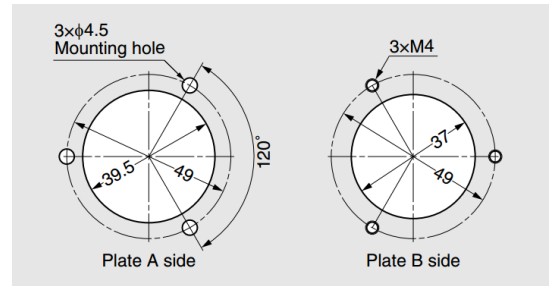
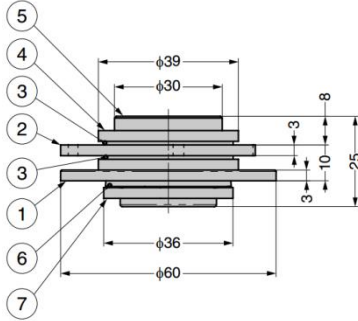
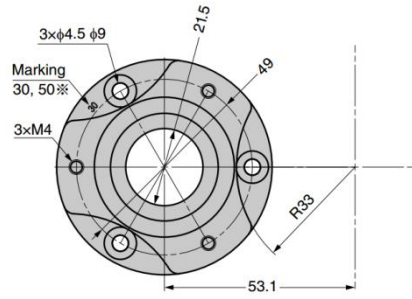


No.	Part Name	Material	Finish
①	Bracket	Stainless Steel (SUS430)	Barrel Polished
②	Base plate		
③	Sleeve	Stainless Steel (SUS303)	-
④	F Plate	Bronze	-
⑤	Washer	Stainless Steel (SUS430)	Barrel Polished
⑥	Spring Washer	Steel	-
⑦	Washer	Stainless Steel (SUS430)	-

Part No.	Size	Hole Diameter	Torque (per piece)		Load Capacity (per piece)	
GHG-S30-12	$\phi 54$	$\phi 12$	3.0 N.m $\pm 20\%$	30.6 kgf.cm $\pm 20\%$	200 N	20.4 kg
GHG-S50-12			5.0 N.m $\pm 20\%$	51.0 kgf.cm $\pm 20\%$		

## GHG-S-21 Swivel Torque Hinge (Hole Diameter $\varnothing 21.5$ )

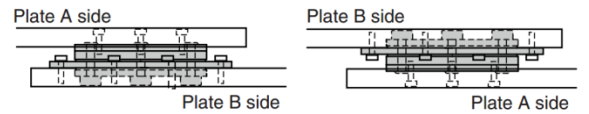
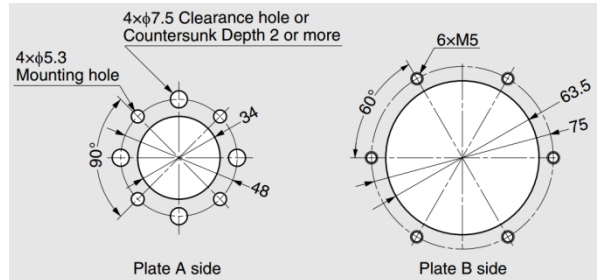
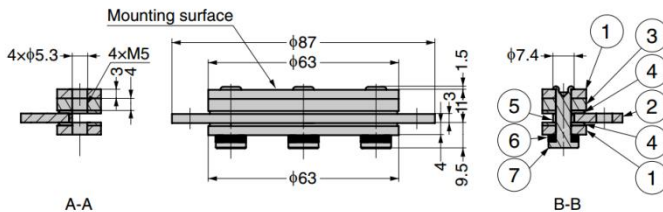
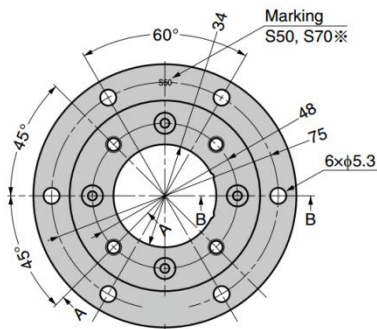
TORQUE HINGES



No.	Part Name	Material	Finish
①	Plate B	Stainless Steel (SUS430)	Barrel Polished
②	Plate A		
③	F Plate	Bronze	Barrel Polished
④	Washer	Stainless Steel (SUS430)	Barrel Polished
⑤	Sleeve	Stainless Steel (SUS303)	Plain
⑥	Spring Washer	Stainless Steel	-
⑦	Washer	Stainless Steel (SUS430)	-

Part No.	Size	Hole Diameter	Torque (per piece)		Load Capacity (per piece)	
GHG-S30-21	$\varnothing 60$	$\varnothing 21.5$	3.0 N.m $\pm 20\%$	30.6 kgf.cm $\pm 20\%$	200 N	20.4 kg
GHG-S50-21			5.0 N.m $\pm 20\%$	51.0 kgf.cm $\pm 20\%$		

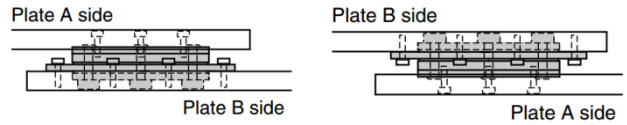
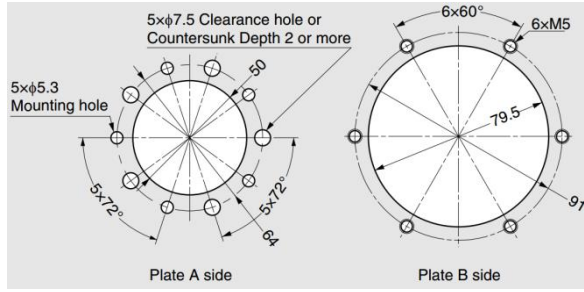
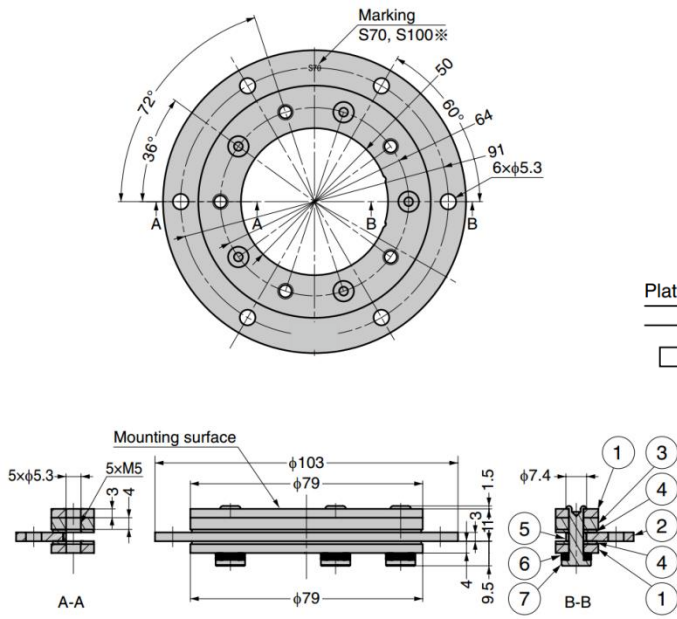
## GHG-S-34 Swivel Torque Hinge (Hole Diameter $\varnothing 34$ )



No.	Part Name	Material	Finish
①	Plate A	Stainless Steel (SUS430)	Barrel Polished
②	Plate B		
③	Plate C		
④	F Plate	Bronze	-
⑤	Bush	POM	-
⑥	Spring Washer	Stainless Steel	-
⑦	Shaft	Stainless Steel (SUS303)	-

Part No.	Size	Hole Diameter	Torque (per piece)		Load Capacity (per piece)	
GHG-S50-34	$\varnothing 87$	$\varnothing 34$	5.0 N.m $\pm 20\%$	51.0 kgf.cm $\pm 20\%$	400 N	40.8 kg
GHG-S70-34			7.0 N.m $\pm 20\%$	71.4 kgf.cm $\pm 20\%$		

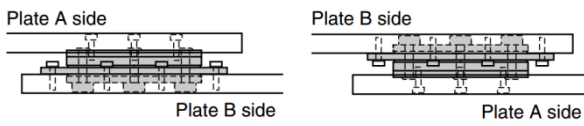
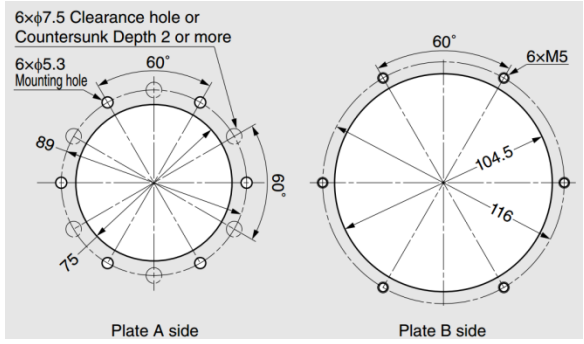
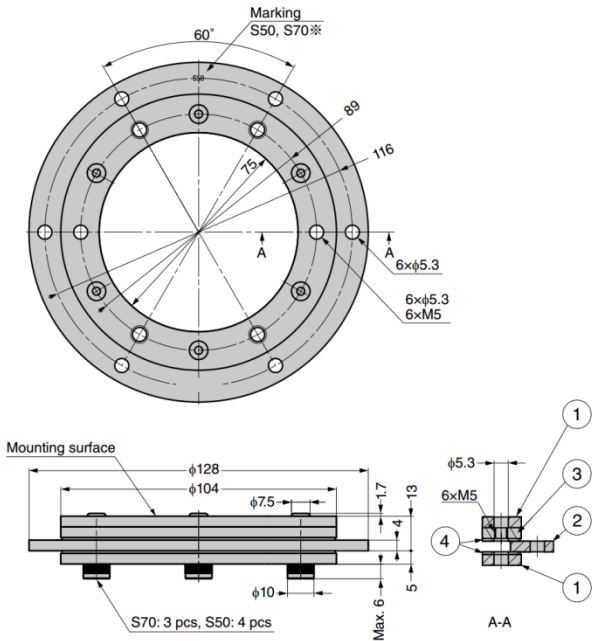
## GHG-S-50 Swivel Torque Hinge (Hole Diameter $\varnothing 50$ )



No.	Part Name	Material	Finish
①	Plate A	Stainless Steel (SUS430)	Barrel Polished
②	Plate B		
③	Plate C		
④	F Plate	Bronze	-
⑤	Bush	POM	
⑥	Spring Washer	Stainless Steel	
⑦	Shaft	Stainless Steel (SUS303)	

Part No.	Size	Hole Diameter	Torque (per piece)		Load Capacity (per piece)	
GHG-S70-50	$\varnothing 103$	$\varnothing 50$	7.0 N.m $\pm 20\%$	71.4 kgf.cm $\pm 20\%$	400 N	40.8 kg
GHG-S100-50			10.0 N.m $\pm 20\%$	102.0 kgf.cm $\pm 20\%$		

## GHG-S-75 Swivel Torque Hinge (Hole Diameter $\varnothing 75$ )



No.	Part Name	Material	Finish
①	Plate A	Stainless Steel (SUS430)	Barrel Polished
②	Plate B		
③	Plate C		
④	F Plate	Bronze	-

Part No.	Size	Hole Diameter	Torque (per piece)	
GHG-S50-75	$\varnothing 128$	$\varnothing 75$	5.0 N.m $\pm 20\%$	51.0 kgf.cm $\pm 20\%$
GHG-S70-75			7.0 N.m $\pm 20\%$	71.4 kgf.cm $\pm 20\%$